

Lecture 11 — Optimal Control

- ▶ The Maximum Principle Revisited
- ▶ Examples
- ▶ Numerical methods/Optimica
- ▶ Examples, Lab 3

Material

- ▶ Lecture slides, including material by J. kesson, Automatic Control LTH
- ▶ Glad & Ljung, part of Chapter 18

Goal

To be able to

- ▶ solve simple problems using the maximum principle
- ▶ formulate advanced problems for numerical solution

Outline

- **The Maximum Principle Revisited**
 - Examples
 - Numerical methods/Optimica
 - Example — Double integrator
 - Example — Alfa Laval Plate Reactor

Problem Formulation (1)

Standard form (1):

$$\text{Minimize } \int_0^{t_f} \overbrace{L(x(t), u(t))}^{\text{Trajectory cost}} dt + \overbrace{\phi(x(t_f))}^{\text{Final cost}}$$

$$\dot{x}(t) = f(x(t), u(t))$$

$$u(t) \in U, \quad 0 \leq t \leq t_f, \quad t_f \text{ given}$$

$$x(0) = x_0$$

$$x(t) \in R^n, u(t) \in R^m$$

U control constraints

Here we have a fixed end-time t_f .

The Maximum Principle (18.2)

Introduce the **Hamiltonian**

$$H(x, u, \lambda) = L(x, u) + \lambda^T(t)f(x, u).$$

If problem (1) has a solution $\{u^*(t), x^*(t)\}$, then

$$\min_{u \in U} H(x^*(t), u, \lambda(t)) = H(x^*(t), u^*(t), \lambda(t)), \quad 0 \leq t \leq t_f,$$

where $\lambda(t)$ solves the **adjoint equation**

$$d\lambda(t)/dt = -H_x^T(x^*(t), u^*(t), \lambda(t)), \quad \text{with} \quad \lambda(t_f) = \phi_x^T(x^*(t_f))$$

Remarks

The Maximum Principle gives **necessary** conditions
A pair $(u^*(\cdot), x^*(\cdot))$ is called **extremal** if the conditions of the Maximum Principle are satisfied. Many extremals can exist.
The maximum principle gives all possible candidates.
However, **there might not exist** a minimum!

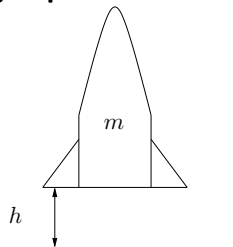
Example

Minimize $x(1)$ when $\dot{x}(t) = u(t)$, $x(0) = 0$ and $u(t)$ is free

Goddard's Rocket Problem revisited

How to send a rocket as high up in the air as possible?

$$\frac{d}{dt} \begin{pmatrix} v \\ h \\ m \end{pmatrix} = \begin{pmatrix} u - D \\ m \\ v \\ -\gamma u \end{pmatrix}$$



$$(v(0), h(0), m(0)) = (0, 0, m_0), \quad g, \gamma > 0$$

u motor force, $D = D(v, h)$ air resistance

Constraints: $0 \leq u \leq u_{max}$ and $m(t_f) = m_1$ (empty)

Optimization criterion: $\max_u h(t_f)$

Problem Formulation (2)

$$\min_{\substack{t_f \geq 0 \\ u: [0, t_f] \rightarrow U}} \int_0^{t_f} L(x(t), u(t)) dt + \phi(x(t_f))$$
$$\dot{x}(t) = f(x(t), u(t)), \quad x(0) = x_0$$
$$\psi(x(t_f)) = 0$$

Note the differences compared to standard form:

- ▶ End constraints $\psi(x(t_f)) = 0$
- ▶ t_f free variable (i.e., not specified *a priori*)

The Maximum Principle—General Case (18.4)

Introduce the Hamiltonian

$$H(x, u, \lambda, n_0) = n_0 L(x, u) + \lambda^T(t) f(x, u)$$

If problem (2) has a solution $u^*(t), x^*(t)$, then there is a vector function $\lambda(t)$, a number $n_0 \geq 0$, and a vector $\mu \in R^r$ such that $[n_0 \ \mu^T] \neq 0$ and

$$\min_{u \in U} H(x^*(t), u, \lambda(t), n_0) = H(x^*(t), u^*(t), \lambda(t), n_0), \quad 0 \leq t \leq t_f,$$

where

$$\begin{aligned}\dot{\lambda}(t) &= -H_x^T(x^*(t), u^*(t), \lambda(t), n_0) \\ \lambda(t_f) &= n_0 \phi_x^T(x^*(t_f)) + \Psi_x^T(x^*(t_f)) \mu\end{aligned}$$

If the end time t_f is free, then $H(x^*(t_f), u^*(t_f), \lambda(t_f), n_0) = 0$.

Normal/abnormal cases

Can scale $n_0, \mu, \lambda(t)$ by the same constant

Can reduce to two cases

- ▶ $n_0 = 1$ (normal)
- ▶ $n_0 = 0$ (abnormal, since L and ϕ don't matter)

As we saw before (18.2): fixed time t_f and no end constraints \Rightarrow normal case

Hamilton function is constant

H is constant along extremals (x^*, u^*)

Proof (in the case when $u^*(t) \in \text{Int}(U)$):

$$\frac{d}{dt}H = H_x \dot{x} + H_\lambda \dot{\lambda} + H_u \dot{u} = H_x f - f^T H_x^T + 0 = 0$$

Feedback or feed-forward?

Example:

$$\frac{dx}{dt} = u, \quad x(0) = 1$$
$$\text{minimize } J = \int_0^{\infty} (x^2 + u^2) dt$$

$J_{min} = 1$ is achieved for

$$u(t) = -e^{-t} \quad \text{open loop} \quad (1)$$

or

$$u(t) = -x(t) \quad \text{closed loop} \quad (2)$$

(??) \implies stable system

(??) \implies asympt. stable system

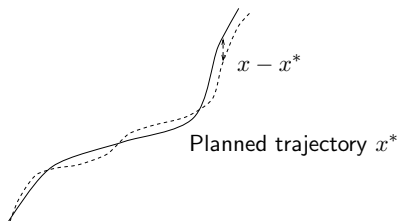
Sensitivity for noise and disturbances differ!!

Reference generation using optimal control

Note that the optimization problem makes no distinction between open loop control $u^*(t)$ and closed loop control $u^*(t, x)$. Feedback is needed to take care of disturbances and model errors.

Idea: Use the optimal open loop solution $u^*(t), x^*(t)$ as reference values to a linear regulator that keeps the system close to the desired trajectory

Efficient for large setpoint changes.



Recall Linear Quadratic Control

$$\text{minimize } x^T(t_f)Q_Nx(t_f) + \int_0^{t_f} \begin{bmatrix} x \\ u \end{bmatrix}^T \begin{bmatrix} Q_{11} \\ Q_{12} \\ Q_{12}^T \\ Q_{22} \end{bmatrix} \begin{bmatrix} x \\ u \end{bmatrix}$$

where

$$\dot{x} = Ax + Bu, \quad y = Cx$$

Optimal solution if $t_f = \infty$, $Q_N = 0$, all matrices constant, and x measurable:

$$u = -Lx$$

where $L = Q_{22}^{-1}(Q_{12} + B^T S)$ and $S = S^T > 0$ solves

$$SA + A^T S + Q_{11} - (Q_{12} + SB)Q_{22}^{-1}(Q_{12} + B^T S) = 0$$

Second Variations

Approximating $J(x, u)$ around (x^*, u^*) to second order

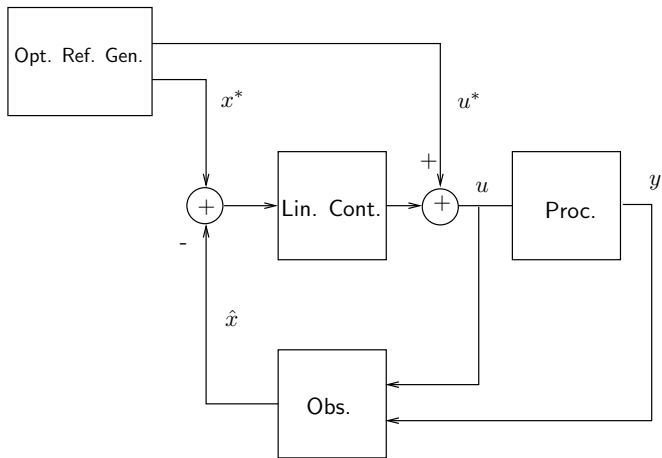
$$\delta^2 J = \frac{1}{2} \delta_x^T \phi_{xx} \delta_x + \frac{1}{2} \int_{t_0}^{t_f} \begin{bmatrix} \delta_x \\ \delta_u \end{bmatrix}^T \begin{bmatrix} H_{xx} & H_{xu} \\ H_{ux} & H_{uu} \end{bmatrix} \begin{bmatrix} \delta_x \\ \delta_u \end{bmatrix} dt$$

$$\delta \dot{x} = f_x \delta_x + f_u \delta_u$$

where $J = J^* + \delta^2 J + \dots$ is a Taylor expansion of the criterion and $\delta_x = x - x^*$ and $\delta_u = u - u^*$.

Treat this as a new optimization problem. Linear time-varying system and quadratic criterion. Gives optimal controller

$$u - u^* = L(t)(x - x^*)$$



Take care of deviations with linear controller

Outline

- The Maximum Principle Revisited
- **Examples**
- Numerical methods/Optimica
- Example — Double integrator
- Example — Alfa Laval Plate Reactor

Example: Optimal heating

$$\text{Minimize } \int_0^{t_f=1} P(t) dt$$

$$\begin{aligned} \text{when } \dot{T} &= P - T \\ 0 &\leq P \leq P_{max} \\ T(0) &= 0, \quad T(1) = 1 \end{aligned}$$

T temperature

P heat effect

Solution

Hamiltonian

$$H = n_0 P + \lambda P - \lambda T$$

Adjoint equation

$$\dot{\lambda}^T = -H_T = -\frac{\partial H}{\partial T} = \lambda \quad \lambda(1) = \mu$$

$$\Rightarrow \lambda(t) = \mu e^{t-1}$$

$$\Rightarrow H = \underbrace{(n_0 + \mu e^{t-1})}_{\sigma(t)} P - \lambda T$$

At optimality

$$P^*(t) = \begin{cases} 0, & \sigma(t) > 0 \\ P_{max}, & \sigma(t) < 0 \end{cases}$$

Solution

$\mu = 0 \Rightarrow (n_0, \mu) = (0, 0) \Rightarrow$ Not allowed!

$\mu \neq 0 \Rightarrow$ Constant P or just one switch!

$T(t)$ approaches one from below, so $P \neq 0$ near $t = 1$. Hence

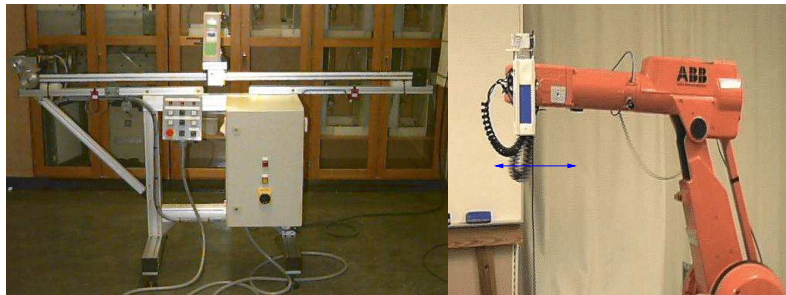
$$P^*(t) = \begin{cases} 0, & 0 \leq t \leq t_1 \\ P_{\max}, & t_1 < t \leq 1 \end{cases}$$

$$T(t) = \begin{cases} 0, & 0 \leq t \leq t_1 \\ \int_{t_1}^1 e^{-(t-\tau)} P_{\max} d\tau = (e^{-(t-1)} - e^{-(t-t_1)}) P_{\max}, & t_1 < t \leq 1 \end{cases}$$

Time t_1 is given by $T(1) = (1 - e^{-(1-t_1)}) P_{\max} = 1$

Has solution $0 \leq t_1 \leq 1$ if $P_{\max} \geq \frac{1}{1 - e^{-1}}$

Example – The Milk Race



Move milk in minimum time without spilling!

[M. Grundelius – Methods for Control of Liquid Slosh]

[movie]

Minimal Time Problem

NOTE! Common trick to rewrite criterion into “standard form” !!

$$\text{minimize } t_f = \text{minimize } \int_0^{t_f} 1 dt$$

Control constraints

$$|u(t)| \leq u_i^{max}$$

No spilling

$$|Cx(t)| \leq h$$

Optimal controller has been found for the milk race

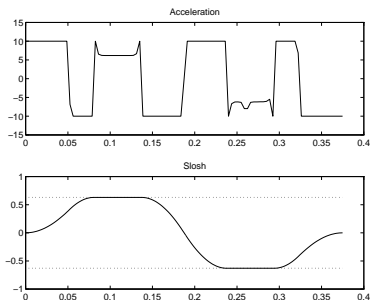
Minimal time problem for linear system $\dot{x} = Ax + Bu$, $y = Cx$
with control constraints $|u_i(t)| \leq u_i^{max}$. Often bang-bang control
as solution

Results- milk race

Maximum slosh $\phi_{max} = 0.63$

Maximum acceleration = 10 m/s^2

Time optimal acceleration profile



Optimal time = 375 ms, industrial = 540ms

Outline

- The Maximum Principle Revisited
- Examples
- **Numerical methods/Optimica**
- Example — Double integrator
- Example — Alfa Laval Plate Reactor

Numerical Methods for Dynamic Optimization

- ▶ Many algorithms
 - ▶ Applicability highly model-dependent (ODE, DAE, PDE, hybrid?)
 - ▶ Calculus of variations
 - ▶ Single/Multiple Shooting
 - ▶ Simultaneous methods
 - ▶ Simulation-based methods
 - ▶ Analogy with different simulation algorithms (but larger diversity)
- ▶ Heavy programming burden to use numerical algorithms
 - ▶ Fortran
 - ▶ C
- ▶ Engineering need for high-level descriptions

Modelica — A Modeling Language

- ▶ Modelica is increasingly used in industry
 - ▶ Expert knowledge
 - ▶ Capital investments
- ▶ Usage so far
 - ▶ Simulation (mainly)
- ▶ Other usages emerge
 - ▶ Sensitivity analysis
 - ▶ Optimization
 - ▶ Model reduction
 - ▶ System identification
 - ▶ Control design

Optimica and JModelica — A Research Project

- ▶ Shift focus:
 - ▶ from *encoding*
 - ▶ to *problem formulation*
- ▶ Enable dynamic optimization of Modelica models
 - ▶ State of the art numerical algorithms
- ▶ Develop a high level description for optimization problems
 - ▶ Extension of the Modelica language
- ▶ Develop prototype tools
 - ▶ JModelica and The Optimica Compiler
 - ▶ Code generation

Outline

- The Maximum Principle Revisited
- Examples
- Numerical methods/Optimica
- **Example — Double integrator**
- Example — Alfa Laval Plate Reactor

Optimica—An Example

$$\min_{u(t)} \int_0^{t_f} 1 dt$$

subject to the dynamic constraint

$$\dot{x}(t) = v(t), \quad x(0) = 0$$

$$\dot{v}(t) = u(t), \quad v(0) = 0$$

and

$$x(t_f) = 1$$

$$v(t_f) = 0$$

$$v(t) \leq 0.5$$

$$-1 \leq u(t) \leq 1$$

A Modelica Model for a Double Integrator

A double integrator model

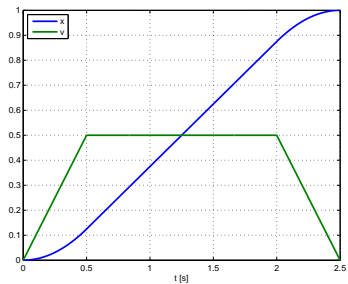
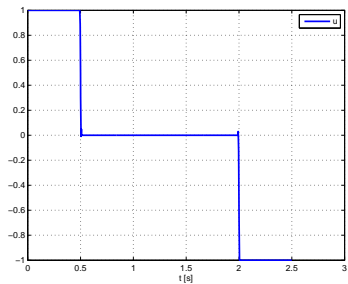
```
model DoubleIntegrator
  Real x(start=0);
  Real v(start=0);
  input Real u;
equation
  der(x)=v;
  der(v)=u;
end DoubleIntegrator;
```

The Optimica Description

Minimum time optimization problem

```
optimization DIMinTime (objective=cost(finalTime),
                        startTime=0,
                        finalTime(free=true,initialGu
    Real cost;
    DoubleIntegrator di(u(free=true,initialGuess=0.0));
equation
    der(cost) = 1;
constraint
    finalTime>=0.5;
    finalTime<=10;
    di.x(finalTime)=1;
    di.v(finalTime)=0;
    di.v<=0.5;
    di.u>=-1; di.u<=1;
end DIMinTime;
```

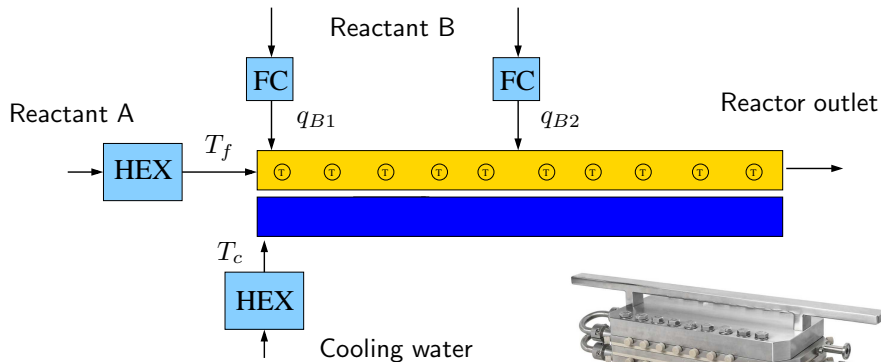
Optimal Double Integrator Profiles



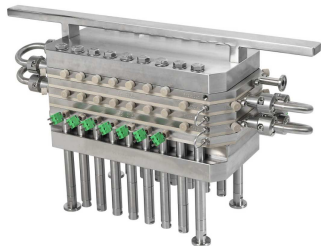
Outline

- The Maximum Principle Revisited
- Examples
- Numerical methods/Optimica
- Example — Double integrator
- **Example — Alfa Laval Plate Reactor**

Optimal Start-up of a Plate Reactor



- ▶ Achieve safe start-up $T_r \leq T_{max}$
- ▶ Maximize the conversion
- ▶ Minimize the start-up time



The Optimization Problem

Reduce sensitivity of the nominal start-up trajectory by:

- Introducing a constraint on the accumulated concentration of reactant B
- Introducing high frequency penalties on the control inputs

$$\min_u \int_0^{t_f} \alpha_A c_{A,out}^2 + \alpha_B c_{B,out}^2 + \alpha_{B1} q_{B1,f}^2 + \alpha_{B2} q_{B2,f}^2 + \alpha_{T1} \dot{T}_f^2 + \alpha_{T2} \dot{T}_c^2 dt$$

subject to $\dot{x} = f(x, u)$

$$T_{r,i} \leq 155, \quad i = 1..N \quad c_{B,1} \leq 600, \quad c_{B,2} \leq 1200$$

$$0 \leq q_{B1} \leq 0.7, \quad 0 \leq q_{B2} \leq 0.7$$

$$-1.5 \leq \dot{T}_f \leq 2, \quad -1.5 \leq \dot{T}_c \leq 0.7$$

$$30 \leq T_f \leq 80, \quad 20 \leq T_c \leq 80$$

The Optimization Problem—Optimica

Robust optimization formulation

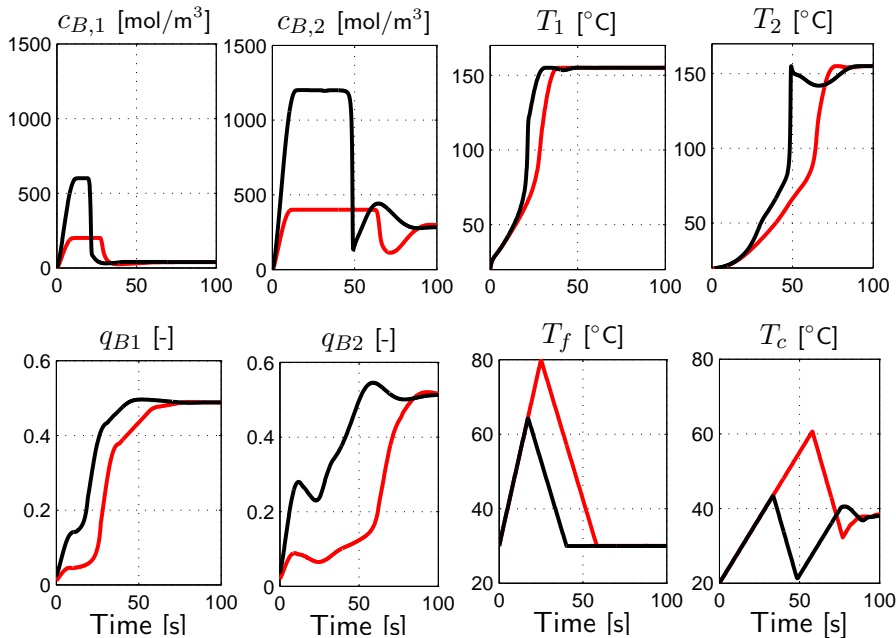
```
optimization PlateReactorOptimization (objective=cost(finalTime),
                                       startTime=0,
                                       finalTime=150)
  PlateReactor pr(u_T_cool_setpoint (free=true), u_TfeedA_setpoint (free=true),
                 u_B1_setpoint (free=true), u_B2_setpoint (free=true));
  parameter Real sc_u = 670/50 "Scaling factor";
  parameter Real sc_c = 2392/50 "Scaling factor";
  Real cost (start=0);
equation
  der(cost) = 0.1*pr.cA[30]^2*sc_c^2 + 0.025*pr.cB[30]^2*sc_c^2 + 1*pr.u_B1_setpoint_f^2
             1*pr.u_B2_setpoint_f^2 + 1*der(pr.u_T_cool_setpoint)^2*sc_u^2 +
             1*der(pr.u_TfeedA_setpoint)^2*sc_u^2;
constraint
  pr.Tr/u_sc <=(155+273)*ones(30);

  pr.cB[1] <=200/sc_c; pr.cB[16] <=400/sc_c;

  pr.u_B1_setpoint >=0; pr.u_B1_setpoint <=0.7;
  pr.u_B2_setpoint >=0; pr.u_B2_setpoint <=0.7;

  pr.u_T_cool_setpoint >=(15+273)/sc_u; pr.u_T_cool_setpoint <=(80+273)/sc_u;
  pr.u_TfeedA_setpoint >=(30+273)/sc_u; pr.u_TfeedA_setpoint <=(80+273)/sc_u;

  der(pr.u_T_cool_setpoint) >=-1.5/sc_u; der(pr.u_T_cool_setpoint) <=0.7/sc_u;
  der(pr.u_TfeedA_setpoint) >=-1.5/sc_u; der(pr.u_TfeedA_setpoint) <=2/sc_u;
end PlateReactorOptimization;
```



Almost as fast, but more robust with lower c_B -constraints

Summary

- The Maximum Principle Revisited
- Examples
- Numerical methods/Optimica
- Example — Double integrator
- Example — Alfa Laval Plate Reactor